

**Specification sheet LX 493**

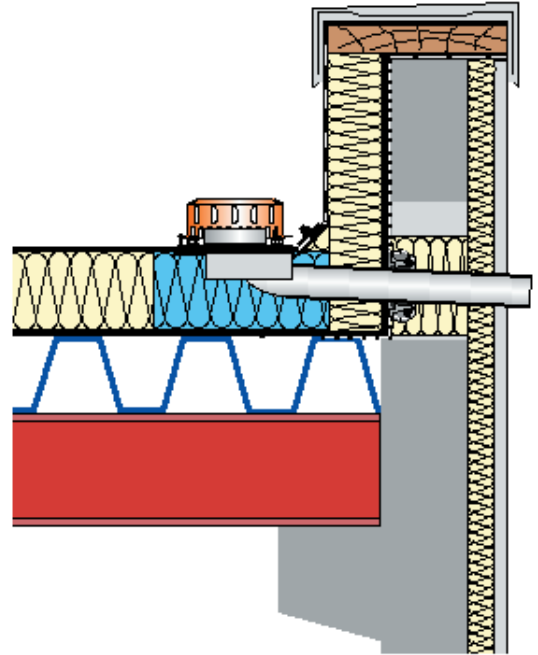
**Parapet roof drainage systems  
Series 79/88 RAINSTAR®  
as spout**

**Emergency drainage**

**Gravity flow**

**Silent Power**

<b>Discharge rate:</b>	<b>2,6 l/sec</b>
<b>Water height:</b>	<b>75 mm</b>
<b>Roof penetration:</b>	<b>82 mm</b>
<b>Diameter:</b>	<b>DN 50</b>
<b>LX-Number:</b>	<b>LX 493</b>
<b>Weir height:</b>	<b>35 mm</b>
<b>Drain:</b>	<b>ventilated</b>
<b>Downpipe:</b>	<b>-</b>
<b>Downpipe height:</b>	<b>0 m</b>
<b>Drainage:</b>	<b>on floor</b>

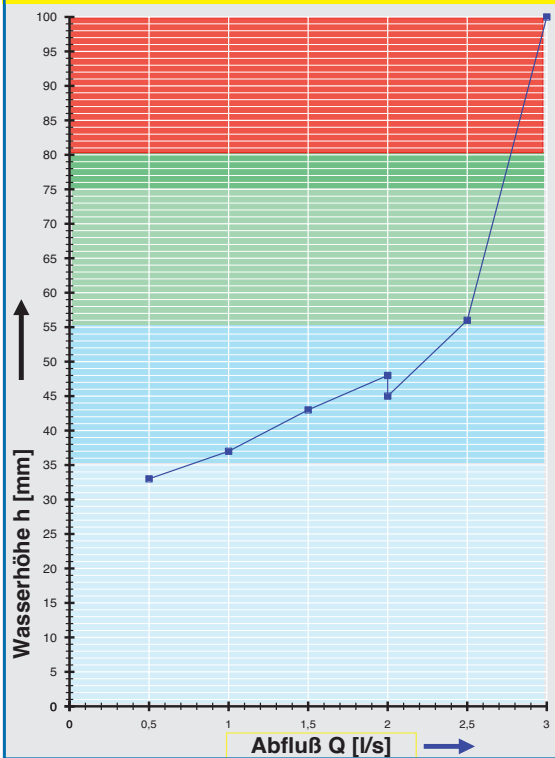


**LX 493 Piece list**

**1 x Art.-No. choose drain on page two!**

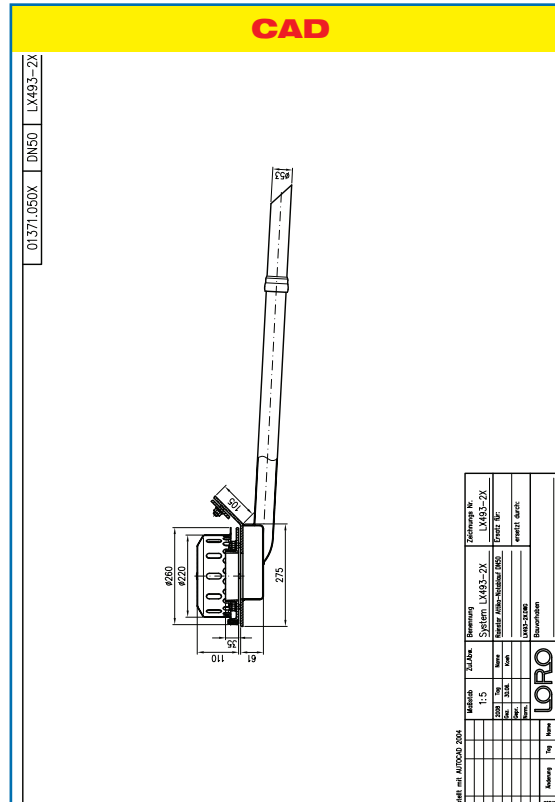
- 1 x Art.-Nr. 01401.050X, LORO-X Pipe with one socket
- 1 x Art.-Nr. 13232.050X, LORO-X Sliding flange
- 1 x Art.-Nr. 00911.050X, LORO-X Sealing element
- 1 x Art.-Nr. 00986.000X, LORO-X Lubricant

**hQ - Head-Discharge curve**



**Systempower**

**CAD**



**Systemshape**

Water height	mm	5	10	15	20	25	30	35	40	45	50	55	60	65	70	75
Discharge	l/sec							0,7	1,2	2,0	2,2	2,4	2,5	2,6	2,6	2,6
								<b>Silent</b>		<b>Silent Power</b>						

Choose drain for piece list on page one!

DN 50

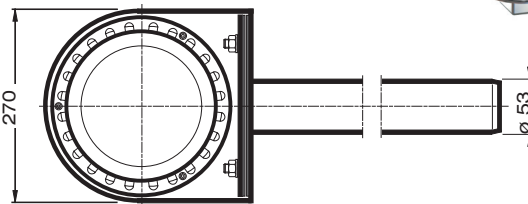
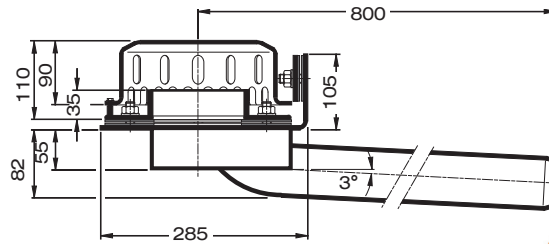
**LX493-1X**

**Series 79 (RB)**

Drain Art.-No. 01373.050X

Weight: 5,7 kg

**clamping flange 90°**  
for plastic roofing sheets



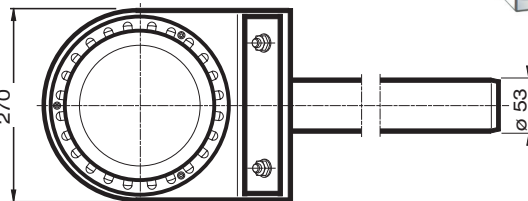
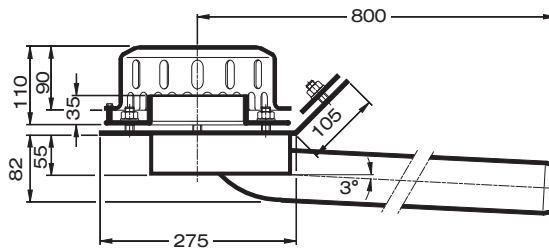
**LX493-2X**

**Series 79 (RB)**

Drain Art.-No. 01371.050X

Weight: 5,7 kg

**clamping flange 45°**  
for bituminous roofing sheets



**LX493-4X**

**Series 88**

Drain Art.-No. 01391.050X

Weight: 4,0 kg

**clamping flange without raised edge**  
for bituminous and plastic roofing sheets

